

STR SERIES Hollow Rotary Index Tables

STR o63V 1-Stage and 2-Stage Specifications with VRB o6o

Frame Size	063V									
Stage			1-Stage	2-Stage						
Ratio	Units	Notes	20	60	80	100	120	140	160	180
Nominal Torque	[Nm]	*1	69	69	69	69	69	69	69	69
Acceleration Torque	[Nm]	--	129	129	129	129	129	129	129	129
No Load Torque	[Nm]	*1	0.8	0.1	0.1	0.1	0.1	0.1	0.1	0.1
Nominal Input Speed	[rpm]	*2	800	2400	3000	3000	3000	3000	3000	3000
Maximum Input Speed	[rpm]	*2	3000	6000	6000	6000	6000	6000	6000	6000
Reflected Inertia (Single)	[kg-m ² x10 ⁻⁴]	*3	0.862	--	--	--	--	--	--	--
Reflected Inertia (≤Ø 8)	[kg-m ² x10 ⁻⁴]	*3	--	0.142	0.097	0.079	0.070	0.064	0.061	0.059
Reflected Inertia (≤Ø 14)	[kg-m ² x10 ⁻⁴]	*3	--	0.222	0.172	0.162	0.152	0.142	0.142	0.142
Reflected Inertia (≤Ø 19)	[kg-m ² x10 ⁻⁴]	*3	--	0.432	0.382	0.362	0.362	0.352	0.352	0.342
Backlash	[arc-min]	--	0	0	0	0	0	0	0	0
Angular Transmission Accuracy	[arc-min]	--	≤ 1.0	≤ 1.0						
Angular Repeatability Accuracy	[arc-min]	--	± 0.1	± 0.1						
Surface Runout	[µm (max)]	--	10	10	10	10	10	10	10	10
Weight	[kg]	--	5.6	7.0	7.0	7.0	7.0	7.0	7.0	7.0
Maximum Axial Load	[N]	--	1657	1657	1657	1657	1657	1657	1657	1657
Maximum Radial Load	[N]	--	1359	1359	1359	1359	1359	1359	1359	1359
Maximum Tilting Moment Load	[Nm]	--	79	79	79	79	79	79	79	79
Efficiency	[%]	--	82	78	78	78	78	78	78	78
Protection Class	--	*4	IP54 (IP65)							

*1) At nominal input speed

*2) Speeds are at the actuator input. Limits when used with additional gearbox are higher

*3) At input shaft

*4) IP65 (wash-down) is available as an option. Contact Nidec Drive Technology for more details and our food grade options

STR o63V 2-Stage and 3-Stage Specifications with VRB o6o

Frame Size	063V									
Stage			2-Stage	3-Stage						
Ratio	Units	Notes	200	300	320	400	500	560	600	700
Nominal Torque	[Nm]	*1	69	69	69	69	69	69	69	69
Acceleration Torque	[Nm]	--	129	129	129	129	129	129	129	129
No Load Torque	[Nm]	*1	0.1	0.1	0.1	0.1	0.1	0.1	0.1	0.1
Nominal Input Speed	[rpm]	*2	3000	3000	3000	3000	3000	3000	3000	3000
Maximum Input Speed	[rpm]	*2	6000	6000	6000	6000	6000	6000	6000	6000
Reflected Inertia (Single)	[kg-m ² x10 ⁻⁴]	*3	--	--	--	--	--	--	--	--
Reflected Inertia (≤Ø 8)	[kg-m ² x10 ⁻⁴]	*3	0.058	0.057	0.059	0.056	0.055	0.057	0.051	0.055
Reflected Inertia (≤Ø 14)	[kg-m ² x10 ⁻⁴]	*3	0.142	0.142	0.142	0.132	0.132	0.142	0.132	0.132
Reflected Inertia (≤Ø 19)	[kg-m ² x10 ⁻⁴]	*3	0.342	0.352	0.362	0.352	0.352	0.362	0.342	0.352
Backlash	[arc-min]	--	0	0	0	0	0	0	0	0
Angular Transmission Accuracy	[arc-min]	--	≤ 1.0	≤ 1.0						
Angular Repeatability Accuracy	[arc-min]	--	± 0.1	± 0.1						
Surface Runout	[µm (max)]	--	10	10	10	10	10	10	10	10
Weight	[kg]	--	7.0	7.2	7.2	7.2	7.2	7.2	7.2	7.2
Maximum Axial Load	[N]	--	1657	1657	1657	1657	1657	1657	1657	1657
Maximum Radial Load	[N]	--	1359	1359	1359	1359	1359	1359	1359	1359
Maximum Tilting Moment Load	[Nm]	--	79	79	79	79	79	79	79	79
Efficiency	[%]	--	78	74	74	74	74	74	74	74
Protection Class	--	*4	IP54 (IP65)							

*1) At nominal input speed

*2) Speeds are at the actuator input. Limits when used with additional gearbox are higher

*3) At input shaft

*4) IP65 (wash-down) is available as an option. Contact Nidec Drive Technology for more details and our food grade options

STR 063V 3-Stage Specifications with VRB 060

Frame Size	063V									
Stage	3-Stage									
Ratio	Units	Notes	800	900	1000	1200	1400	1600	1800	2000
Nominal Torque	[Nm]	*1	69	69	69	69	69	69	69	69
Acceleration Torque	[Nm]	--	129	129	129	129	129	129	129	129
No Load Torque	[Nm]	*1	0.1	0.1	0.1	0.1	0.1	0.1	0.1	0.1
Nominal Input Speed	[rpm]	*2	3000	3000	3000	3000	3000	3000	3000	3000
Maximum Input Speed	[rpm]	*2	6000	6000	6000	6000	6000	6000	6000	6000
Reflected Inertia (Single)	[kg-m ² ×10 ⁻⁴]	*3	---	---	---	---	---	---	---	---
Reflected Inertia (≤Ø 8)	[kg-m ² ×10 ⁻⁴]	*3	0.051	0.055	0.051	0.051	0.051	0.051	0.051	0.051
Reflected Inertia (≤Ø 14)	[kg-m ² ×10 ⁻⁴]	*3	0.132	0.132	0.132	0.132	0.132	0.132	0.132	0.132
Reflected Inertia (≤Ø 19)	[kg-m ² ×10 ⁻⁴]	*3	0.342	0.352	0.342	0.342	0.342	0.342	0.342	0.342
Backlash	[arc-min]	--	0	0	0	0	0	0	0	0
Angular Transmission Accuracy	[arc-min]	--	≤ 1.0							
Angular Repeatability Accuracy	[arc-min]	--	± 0.1							
Surface Runout	[µm (max)]	--	10	10	10	10	10	10	10	10
Weight	[kg]	--	7.2	7.2	7.2	7.2	7.2	7.2	7.2	7.2
Maximum Axial Load	[N]	--	1657	1657	1657	1657	1657	1657	1657	1657
Maximum Radial Load	[N]	--	1359	1359	1359	1359	1359	1359	1359	1359
Maximum Tilting Moment Load	[Nm]	--	79	79	79	79	79	79	79	79
Efficiency	[%]	--	74	74	74	74	74	74	74	74
Protection Class	--	*4	IP54 (IP65)							

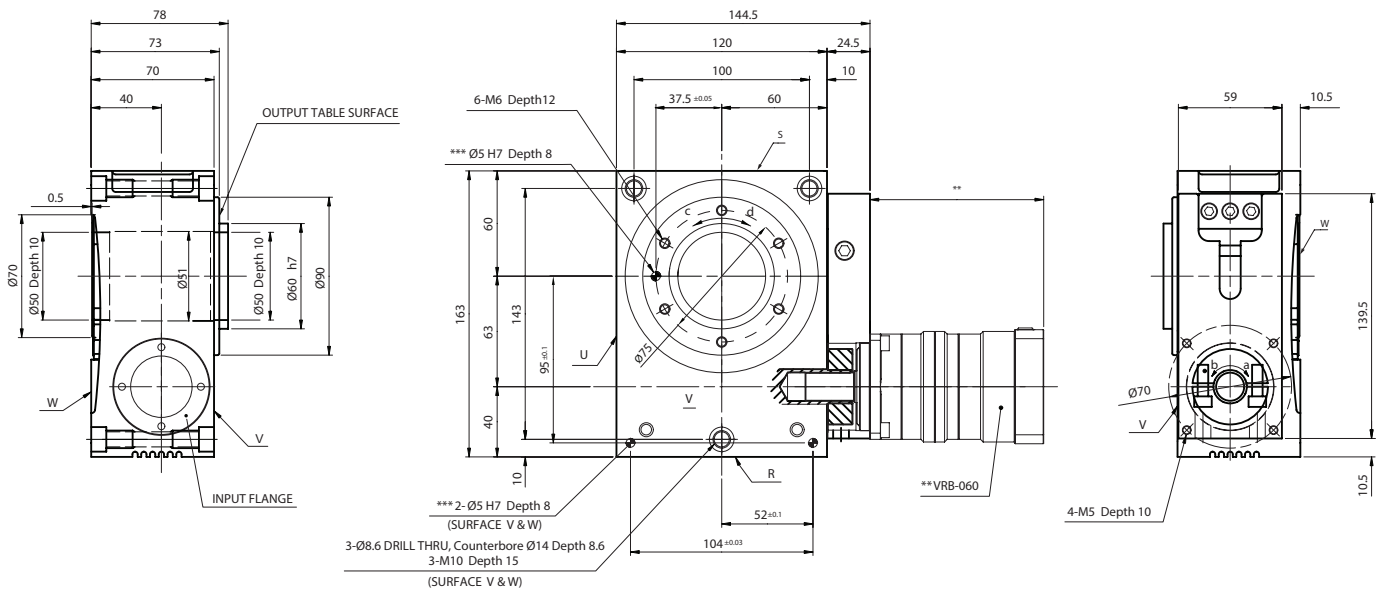
*1) At nominal input speed

*2) Speeds are at the actuator input. Limits when used with additional gearbox are higher

*3) At input shaft

*4) IP65 (wash-down) is available as an option. Contact Nidec Drive Technology for more details and our food grade options

STR 063 Dimensions with VRB 060



NOTE:

** Refer to page 70, for VRB-060 dimensions

*** Optional

ROTATION:

a=d

a=c (upon special request)