

# EVS SERIES Right-angle Planetary

## EVS 180 2-Stage Specifications

Frame Size	180									
Ratio	Units	Note	3	4	5	6	7	8	9	10
Nominal Output Torque	[Nm]	*1	421	604	646	646	646	646	478	478
Maximum Acceleration Torque	[Nm]	*2	679	904	1127	1315	1315	1315	931	931
Maximum Torque	[Nm]	*3	750	1064	1327	1498	1498	1498	1144	1144
Emergency Stop Torque	[Nm]	*4	1300	1700	2000	2500	2500	2500	2000	2000
Nominal Input Speed	[rpm]	*5	1500							
Maximum Input Speed	[rpm]	*6	4000							
No Load Running Torque	[Nm]	*7	10.8							
Maximum Radial Load	[N]	*8	19000							
Maximum Axial Load	[N]	*9	17000							
Moment of Inertia ( $\leq \varnothing 28$ )	[kgcm <sup>2</sup> ]	--	--	--	--	--	--	--	--	--
Moment of Inertia ( $\leq \varnothing 38$ )	[kgcm <sup>2</sup> ]	--	92.00	76.72	71.23	68.28	66.08	65.00	64.38	64.10
Moment of Inertia ( $\leq \varnothing 48$ )	[kgcm <sup>2</sup> ]	--	126.90	111.60	106.10	103.10	100.90	99.86	99.25	98.97
Moment of Inertia ( $\leq \varnothing 65$ )	[kgcm <sup>2</sup> ]	--	212.5	197.2	191.7	188.7	186.6	185.5	184.9	184.6
Efficiency	[%]	*10	93							
Torsional Rigidity	[Nm/arcmin]	*11	175							
Maximum Torsional Backlash	[Arc-min]	--	$\leq 6$							
Noise Level	dB [A]	*12	$\leq 85$							
Protection Class	--	*13	IP54 (IP65)							
Ambient Temperature	[°C]	--	0-40							
Permitted Housing Temperature	[°C]	--	90							
Weight	[kg]	*14	52							

## EVS 180 3-Stage Specifications

Frame Size	180									
Ratio	Units	Note	15	16	20	25	28	30	35	40
Nominal Output Torque	[Nm]	*1	442	583	646	683	710	480	710	465
Maximum Acceleration Torque	[Nm]	*2	916	1315	1315	1315	1315	916	1315	1315
Maximum Torque	[Nm]	*3	916	1315	1315	1315	1315	916	1315	1315
Emergency Stop Torque	[Nm]	*4	2000	2500	2500	2500	2500	2000	2500	2500
Nominal Input Speed	[rpm]	*5	2100							
Maximum Input Speed	[rpm]	*6	4000							
No Load Running Torque	[Nm]	*7	4.7							
Maximum Radial Load	[N]	*8	19000							
Maximum Axial Load	[N]	*9	17000							
Moment of Inertia ( $\leq \varnothing 28$ )	[kgcm <sup>2</sup> ]	--	11.42	12.03	11.11	10.96	11.57	10.31	10.82	10.23
Moment of Inertia ( $\leq \varnothing 38$ )	[kgcm <sup>2</sup> ]	--	20.21	20.82	19.90	19.74	20.36	19.10	19.60	19.02
Moment of Inertia ( $\leq \varnothing 48$ )	[kgcm <sup>2</sup> ]	--	25.03	25.64	24.72	24.56	25.18	23.92	24.42	23.84
Moment of Inertia ( $\leq \varnothing 65$ )	[kgcm <sup>2</sup> ]	--	--	--	--	--	--	--	--	--
Efficiency	[%]	*10	88							
Torsional Rigidity	[Nm/arcmin]	*11	175							
Maximum Torsional Backlash	[Arc-min]	--	$\leq 9$							
Noise Level	dB [A]	*12	$\leq 85$							
Protection Class	--	*13	IP54 (IP65)							
Ambient Temperature	[°C]	--	0-40							
Permitted Housing Temperature	[°C]	--	90							
Weight	[kg]	*14	39							

## EVS 180 3-Stage Specifications

Frame Size	180										
Ratio	Units	Note	45	50	60	70	80	90	100		
Nominal Output Torque	[Nm]	*1	480	710	710	710	710	480	480		
Maximum Acceleration Torque	[Nm]	*2	931	1315	1315	1315	1315	931	931		
Maximum Torque	[Nm]	*3	931	1315	1315	1315	1315	931	931		
Emergency Stop Torque	[Nm]	*4	2000	2500	2500	2500	2500	2000	2000		
Nominal Input Speed	[rpm]	*5	2100								
Maximum Input Speed	[rpm]	*6	4000								
No Load Running Torque	[Nm]	*7	4.7								
Maximum Radial Load	[N]	*8	19000								
Maximum Axial Load	[N]	*9	17000								
Moment of Inertia ( $\leq \varnothing 28$ )	[kgcm <sup>2</sup> ]	--	10.76	10.19	10.17	10.16	10.15	10.14	10.14		
Moment of Inertia ( $\leq \varnothing 38$ )	[kgcm <sup>2</sup> ]	--	19.54	18.98	18.96	18.94	18.94	18.93	18.93		
Moment of Inertia ( $\leq \varnothing 48$ )	[kgcm <sup>2</sup> ]	--	24.36	23.80	23.78	23.77	23.76	23.75	23.75		
Moment of Inertia ( $\leq \varnothing 65$ )	[kgcm <sup>2</sup> ]	--	--	--	--	--	--	--	--		
Efficiency	[%]	*10	88								
Torsional Rigidity	[Nm/arcmin]	*11	175								
Maximum Torsional Backlash	[Arc-min]	--	$\leq 9$								
Noise Level	dB [A]	*12	$\leq 85$								
Protection Class	--	*13	IP54 (IP65)								
Ambient Temperature	[°C]	--	0-40								
Permitted Housing Temperature	[°C]	--	90								
Weight	[kg]	*14	39								

\*1) At nominal input speed, service life is 20,000 hours

\*2) The maximum torque when starting or stopping operation. Apply Cycle Factor  $f_0$ , found on page 468, for higher duty cycle applications

\*3) Permitted 10,000 times during service life. Based on 10% of maximum radial load and smooth output shaft

\*4) The maximum torque allowed under a stress situation. Permitted 1,000 times during service life

\*5) The average input speed at nominal input torque. Maintain housing temperature below permitted value

\*6) The maximum intermittent input speed

\*7) Torque at no load applied to the input shaft at nominal input speed

\*8) The maximum radial load that the gearbox can accept

\*9) The maximum axial load that the gearbox can accept

\*10) The efficiency at the nominal output torque rating

\*11) This does not include lost motion

\*12) Contact Nidec Drive Technology for the testing conditions and environment

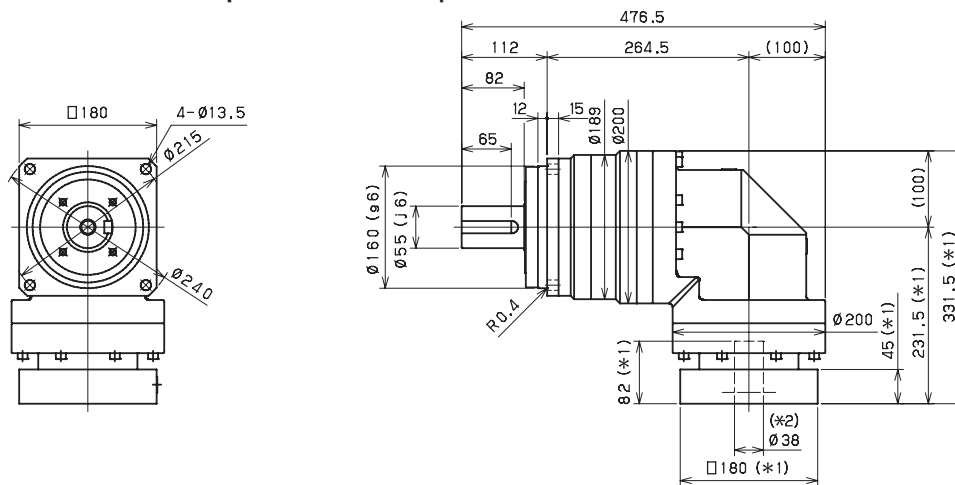
\*13) Various wash-down options are available. Contact Nidec Drive Technology for more details

\*14) Weight may vary slightly between models

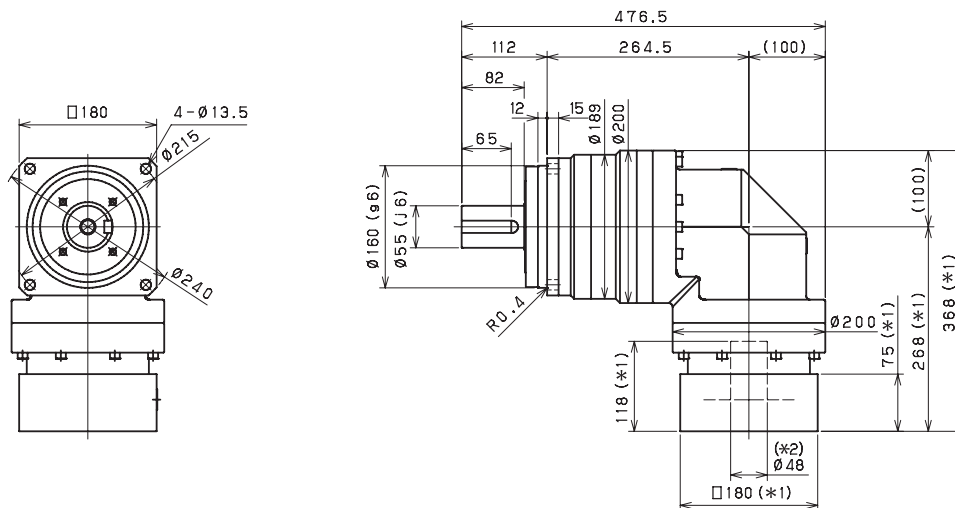
# EVS SERIES Right-angle Planetary

## EVS 180 2-Stage Dimensions

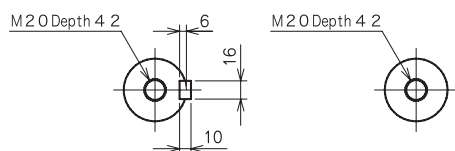
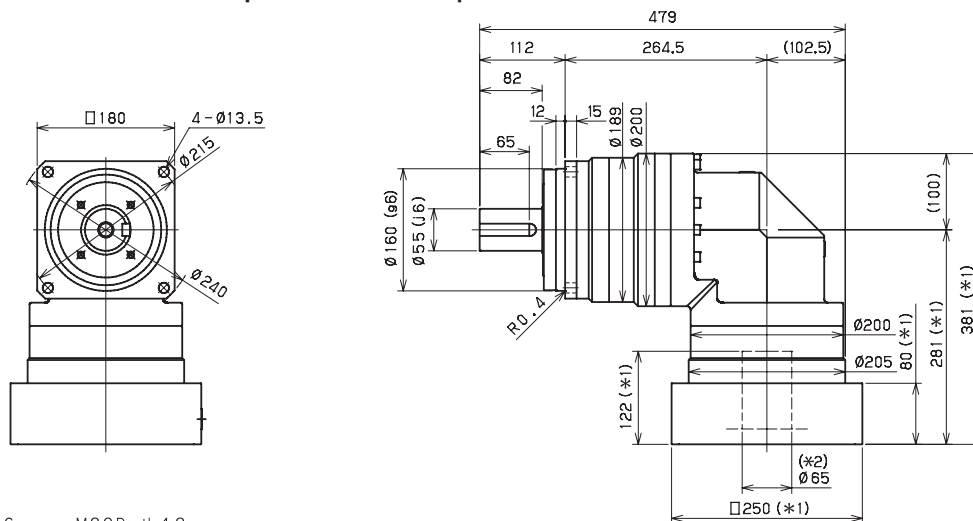
Input bore size  $\cong \varnothing 38$  mm



Input bore size  $\cong \varnothing 48$  mm



Input bore size  $\cong \varnothing 65$  mm



Keyed shaft

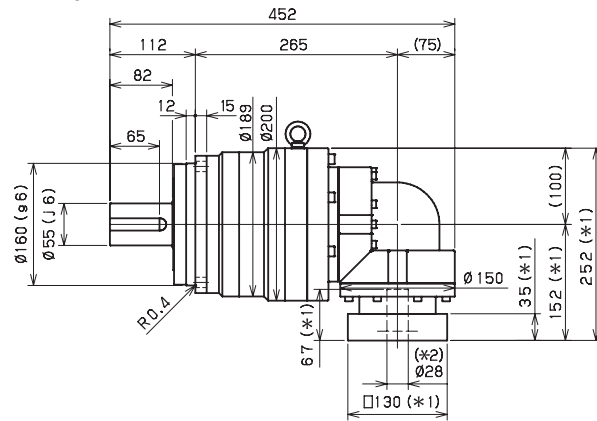
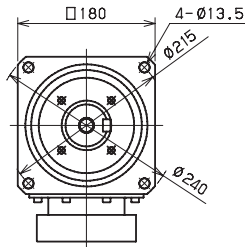
Smooth shaft

\*1) Length will vary depending on motor

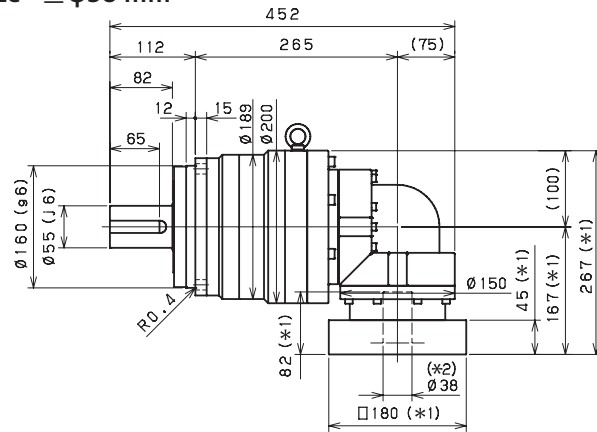
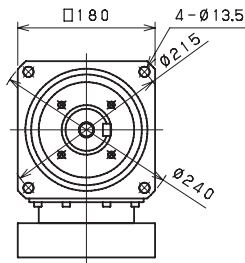
\*2) Bushing will be inserted to adapt to motor shaft

## EVS 180 3-Stage Dimensions

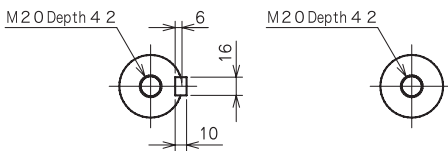
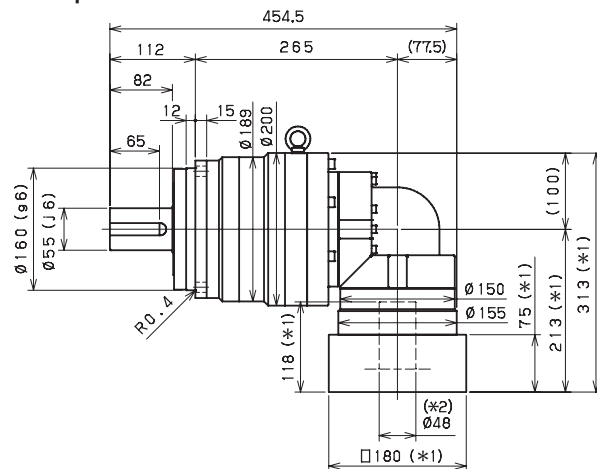
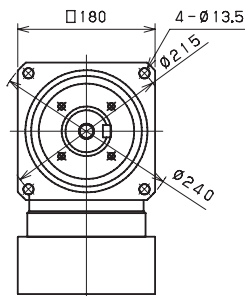
Input bore size  $\leq \phi 28$  mm



Input bore size  $\leq \phi 38$  mm



Input bore size  $\leq \phi 48$  mm



Keyed shaft

Smooth shaft

- \*1) Length will vary depending on motor
- \*2) Bushing will be inserted to adapt to motor shaft