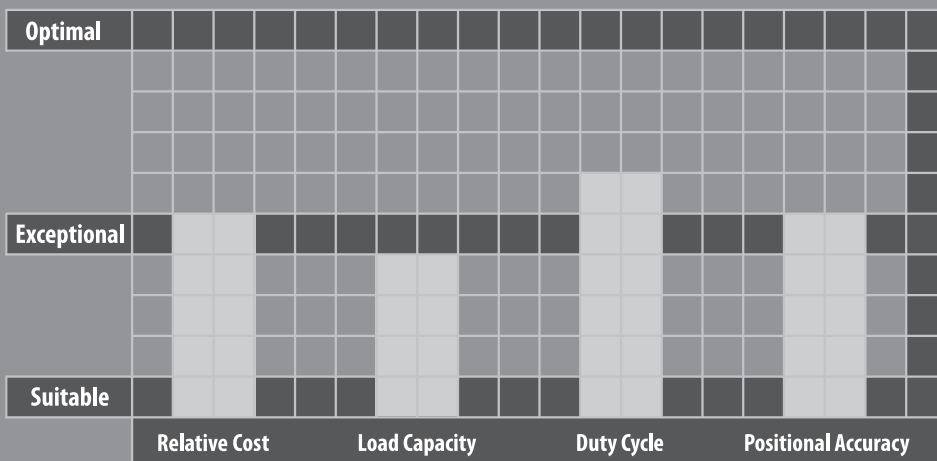


EJS SERIES

The EJS Series from Nidec Drive Technology Corporation offers features which cannot be found in today's market. Standard adapters are available for easy mounting to both, servo and AC induction motors. Dual bearings on the input shaft ensure proper alignment of the motor and gearbox. This design allows the gearbox to be mounted in any orientation.

Smooth, rounded surfaces help eliminate free-standing water and prevent bacteria growth. IP69K protection combined with 316 stainless steel allows this product to stand up to the harshest production environments. The EJS is the only servo grade right angle gearbox in the market that has been certified 3A, NSF and EHEDG. This product is well suited for applications in meat & poultry, fruits & vegetables, seafood processing, dairy and pharmaceuticals.



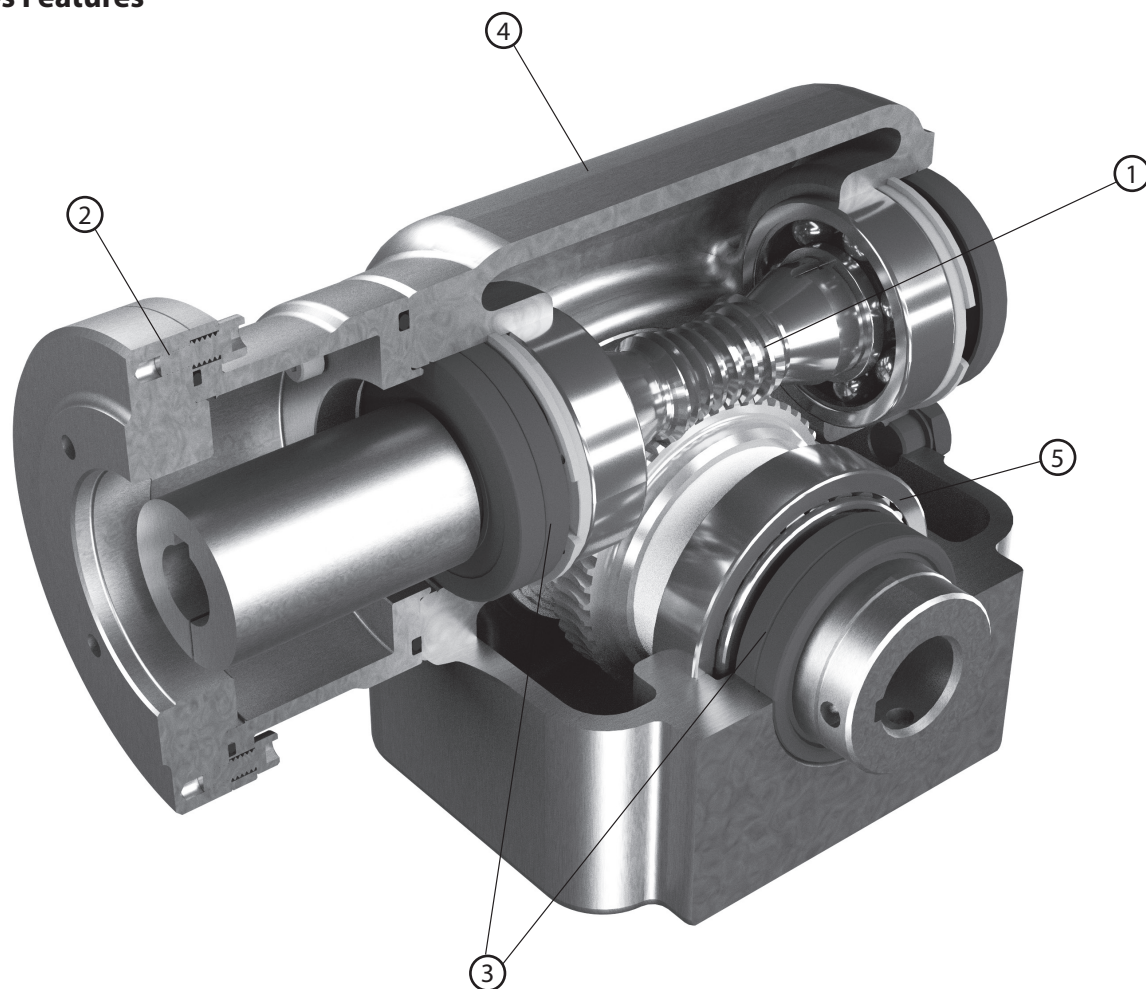


EJS SERIES

- IP69K ingress protection with smooth, rounded 316 stainless housing
- Certified by 3A, NSF and EHEDG
- Easy mounting to stainless steel servo or NEMA motors
- 5 frame sizes with output torque up to 721 Nm

EJS SERIES Right-angle Worm

EJS Series Features



- ① Globoidal gear set – between 3-8 teeth in contact at once, allowing 300% shock load capacity
- ② Motor adapters designed to fit face mounted stainless steel servo or induction motors
- ③ Double input and output seals; Nitrile or Viton options
- ④ Smooth, round stainless steel housing with electro-polished surface
- ⑤ Tapered roller bearings

EJS Series Model Code

EJS	-	5 0	-	2 5	-	H 0 0	-	K D	1 6 A	-	B N
(1) Model	-	(2) Frame Size	-	(3) Ratio	-	(4) Output Shaft	(5) Backlash	(6) Motor Mounting		-	(7) Modifications
								Motor Code	Motor Shaft Diameter		

(1) Model

Order Code

EJS	Series
-----	--------

(2) Frame Size

Order Code

39
44
50
60
76

(3) Ratio

Order Code

5	5:1
7	7.5:1
10	10:1
15	15:1
20	20:1
25	25:1
30	30:1
40	40:1
50	50:1
60	60:1

(4) Output Shaft

Order Code

(See the following diagrams)

H0	Hollow Shaft(*1)
SR	Solid Shaft Right
SL	Solid Shaft Left
SW	Solid Double
DR	Hollow Shrink Right
DL	Hollow Shrink Left

(5) Backlash

Order Code

0	Standard
L	Low Backlash

(6) Motor Mounting

Order Code

Motor Code	Motor Shaft Dia.	Motor Brand & Code
-	-	Shaft-In (no adapter)
C56		NEMA 56C
C140		NEMA 143/145TC
C180		NEMA 182/184TC
A A	1 6	Allen Bradley MPS-A / B330P
A B	2 4	Allen Bradley MPS-A / B4540F, VPS-A1304D
A C	2 8	Allen Bradley MPS-A / B560F, VPS-B1653D
K A	1 4	Kollmorgen AKMH3 Code AC or AN
K B	1 4	Kollmorgen AKMH3 Code CC or CN
K C	1 9	Kollmorgen AKMH4 Code AC or AN
K D	1 6 A	Kollmorgen AKMH4 Code BK or BN
K E	1 9	Kollmorgen AKMH4 Code CC or CN
K F	1 6 A	Kollmorgen AKMH4 Code DK or DN
K H	2 4	Kollmorgen AKMH5 Code AC or AN
K I	1 9 A	Kollmorgen AKMH5 Code BK or BN
K J	1 9 A	Kollmorgen AKMH5 Code DK or DN
K K	2 4	Kollmorgen AKMH5 Code CC or CN
K L	2 4	Kollmorgen AKMH5 Code GC or GN
K M	2 4	Kollmorgen AKMH5 Code HC or HN
K P	3 2	Kollmorgen AKMH6 Code AC or AN
K Q	3 2	Kollmorgen AKMH6 Code CC or CN
K R	2 8 A	Kollmorgen AKMH6, Code DK or DN

(7) Modifications

Order Code

N/A	Standard
H	Foundation Hole Plug
C	External Viton Seals
ML	Mounting Flange - Left
MR	Mounting Flange - Right
FL	Machined Face - Left
FR	Machined Face - Right
N	Inch Solid/Hollow output shaft
B	Feet Base
E	Double Extended Input Shaft
A_	Special

Inch Hollow Bore Size options (*2)

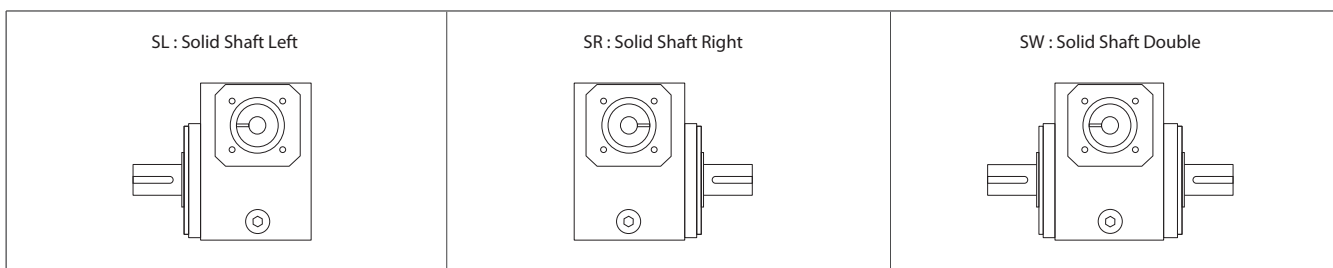
Hollow Bore Size	39	44	50	60	76
0.625"	.				
0.875"	.	.			
1.000"	A	.	.	.	
1.125"		.	.	.	
1.188"			.	.	
1.250"		A	.	.	
1.438"			A	A	.
1.750"					.
1.938"					.
2.188"					A

Notes:

*1) See inch hollow bore size option table.

*2) Hollow bore options option for each frame size. "A" is standard.

Output Shaft Orientation



EJS 039 1-Stage Specifications

Frame Size	039					
Ratio	--	5	7.5	10	15	20
Nominal Output Torque	[Nm]	42	52	58	70	70
Maximum Acceleration Torque	[Nm]	56	70	78	93	91
Emergency Stop Torque	[Nm]	84	104	117	141	139
No Load Running Torque *1	[Nm]	0.45				
Nominal Input Speed	[rpm]	2,000				
Maximum Continuous Input Speed	[rpm]	3,000				
Maximum Cyclic Input Speed	[rpm]	3,000				
Maximum Radial Load *2	[N]	2,670				
Maximum Axial Load *3	[N]	2,670				
Moment of Inertia	[kgcm ²]	1.05	0.93	0.89	0.86	0.85
Efficiency *4	[%]	92	91	90	88	85
Torsional Rigidity	[Nm/arcmin]	5.8				
Maximum Torsional Backlash (Standard)	[Arc-min]	≤ 24				
Maximum Torsional Backlash (Low)	[Arc-min]	≤ 8				
Noise Level *5	dB [A]	≤ 73				
Weight *6	[kg]	14				
Ambient Temperature	[°C]	-23 ~ 93				
Permitted Housing Temperature	[°C]	100				
Service Life	[Hours]	20,000				
Protection Class	--	IP 69K				
Lubrication	--	Synthetic Food Grade Oil				
Mounting Position	--	Any				

*1) Torque at no load applied to the input shaft at 2,000 rpm

*2) The maximum radial load the gearbox can accept

*3) The maximum axial load the gearbox can accept

*4) The efficiency at the nominal output torque rating

*5) Measured with no load applied to the input shaft at 2,000 rpm

*6) Weight may vary slightly between models

EJS 039 1-Stage Specifications

Frame Size	039					
Ratio	--	25	30	40	50	60
Nominal Output Torque	[Nm]	70	66	63	61	59
Maximum Acceleration Torque	[Nm]	91	87	83	80	77
Emergency Stop Torque	[Nm]	139	133	127	122	118
No Load Running Torque *1	[Nm]	0.45				
Nominal Input Speed	[rpm]	2,000				
Maximum Continuous Input Speed	[rpm]	3,000				
Maximum Cyclic Input Speed	[rpm]	3,000				
Maximum Radial Load *2	[N]	2,670				
Maximum Axial Load *3	[N]	2,670				
Moment of Inertia	[kgcm ²]	0.85	0.85	0.85	0.84	0.84
Efficiency *4	[%]	84	80	76	73	70
Torsional Rigidity	[Nm/arcmin]	5.8				
Maximum Torsional Backlash (Standard)	[Arc-min]	≤ 24				
Maximum Torsional Backlash (Low)	[Arc-min]	≤ 8				
Noise Level *5	dB [A]	≤ 73				
Weight *6	[kg]	14				
Ambient Temperature	[°C]	-23 ~ 93				
Permitted Housting Temperature	[°C]	100				
Service Life	[Hours]	20,000				
Protection Class	--	IP 69K				
Lubrication	--	Synthetic Food Grade Oil				
Mounting Position	--	Any				

*1) Torque at no load applied to the input shaft at 2,000 rpm

*2) The maximum radial load the gearbox can accept

*3) The maximum axial load the gearbox can accept

*4) The efficiency at the nominal output torque rating

*5) Measured with no load applied to the input shaft at 2,000 rpm

*6) Weight may vary slightly between models

EJS 044 1-Stage Specifications

Frame Size	044					
Ratio	Units	5	7.5	10	15	20
Nominal Output Torque	[Nm]	58	72	81	92	91
Maximum Acceleration Torque	[Nm]	78	97	108	122	120
Emergency Stop Torque	[Nm]	116	144	162	183	181
No Load Running Torque *1	[Nm]	0.68				
Nominal Input Speed	[rpm]	2,000				
Maximum Continuous Input Speed	[rpm]	3,000				
Maximum Cyclic Input Speed	[rpm]	3,000				
Maximum Radial Load *2	[N]	4,895				
Maximum Axial Load *3	[N]	4,895				
Moment of Inertia	[kgcm ²]	1.36	1.16	1.08	1.03	1.01
Efficiency *4	[%]	92	91	90	88	85
Torsional Rigidity	[Nm/arcmin]	7.6				
Maximum Torsional Backlash (Standard)	[Arc-min]	≤ 20				
Maximum Torsional Backlash (Low)	[Arc-min]	≤ 7				
Noise Level *5	dB [A]	≤ 75				
Weight *6	[kg]	15.5				
Ambient Temperature	[°C]	-23 ~ 93				
Permitted Housing Temperature	[°C]	100				
Service Life	[Hours]	20,000				
Protection Class	--	IP 69K				
Lubrication	--	Synthetic Food Grade Oil				
Mounting Position	--	Any				

*1) Torque at no load applied to the input shaft at 2,000 rpm

*2) The maximum radial load the gearbox can accept

*3) The maximum axial load the gearbox can accept

*4) The efficiency at the nominal output torque rating

*5) Measured with no load applied to the input shaft at 2,000 rpm

*6) Weight may vary slightly between models

EJS 044 1-Stage Specifications

Frame Size	044					
Ratio	Units	25	30	40	50	60
Nominal Output Torque	[Nm]	90	92	88	85	82
Maximum Acceleration Torque	[Nm]	96	120	115	111	106
Emergency Stop Torque	[Nm]	179	184	176	170	163
No Load Running Torque *1	[Nm]	0.68				
Nominal Input Speed	[rpm]	2,000				
Maximum Continuous Input Speed	[rpm]	3,000				
Maximum Cyclic Input Speed	[rpm]	3,000				
Maximum Radial Load *2	[N]	4,895				
Maximum Axial Load *3	[N]	4,895				
Moment of Inertia	[kgcm ²]	1.01	1.00	1.00	1.00	0.99
Efficiency *4	[%]	84	80	76	73	70
Torsional Rigidity	[Nm/arcmin]	7.6				
Maximum Torsional Backlash (Standard)	[Arc-min]	≤ 20				
Maximum Torsional Backlash (Low)	[Arc-min]	≤ 7				
Noise Level *5	dB [A]	≤ 75				
Weight *6	[kg]	15.5				
Ambient Temperature	[°C]	-23 ~ 93				
Permitted Housting Temperature	[°C]	100				
Service Life	[Hours]	20,000				
Protection Class	--	IP 69K				
Lubrication	--	Synthetic Food Grade Oil				
Mounting Position	--	Any				

*1) Torque at no load applied to the input shaft at 2,000 rpm

*2) The maximum radial load the gearbox can accept

*3) The maximum axial load the gearbox can accept

*4) The efficiency at the nominal output torque rating

*5) Measured with no load applied to the input shaft at 2,000 rpm

*6) Weight may vary slightly between models

EJS 050 1-Stage Specifications

Frame Size	050					
Ratio	--	5	7.5	10	15	20
Nominal Output Torque	[Nm]	77	96	108	130	129
Maximum Acceleration Torque	[Nm]	104	130	144	172	168
Emergency Stop Torque	[Nm]	155	193	216	260	258
No Load Running Torque *1	[Nm]	0.74				
Nominal Input Speed	[rpm]	2,000				
Maximum Continuous Input Speed	[rpm]	3,000				
Maximum Cyclic Input Speed	[rpm]	3,000				
Maximum Radial Load *2	[N]	5,340				
Maximum Axial Load *3	[N]	5,340				
Moment of Inertia ($\leq \varnothing 19$)	[kgcm ²]	2.54	2.18	2.05	1.96	1.93
Efficiency *4	[%]	92	91	90	88	85
Torsional Rigidity	[Nm/arcmin]	10.4				
Maximum Torsional Backlash (Standard)	[Arc-min]	≤ 15				
Maximum Torsional Backlash (Low)	[Arc-min]	≤ 6				
Noise Level *5	dB [A]	≤ 80				
Weight *6	[kg]	16				
Ambient Temperature	[°C]	-23 ~ 93				
Permitted Housting Temperature	[°C]	100				
Service Life	[Hours]	20,000				
Protection Class	--	IP 69K				
Lubrication	--	Synthetic Food Grade Oil				
Mounting Position	--	Any				

*1) Torque at no load applied to the input shaft at 2,000 rpm

*2) The maximum radial load the gearbox can accept

*3) The maximum axial load the gearbox can accept

*4) The efficiency at the nominal output torque rating

*5) Measured with no load applied to the input shaft at 2,000 rpm

*6) Weight may vary slightly between models

EJS 050 1-Stage Specifications

Frame Size	050					
Ratio	--	25	30	40	50	60
Nominal Output Torque	[Nm]	129	123	117	113	109
Maximum Acceleration Torque	[Nm]	168	161	154	148	142
Emergency Stop Torque	[Nm]	258	246	234	226	218
No Load Running Torque *1	[Nm]	0.74				
Nominal Input Speed	[rpm]	2,000				
Maximum Continuous Input Speed	[rpm]	3,000				
Maximum Cyclic Input Speed	[rpm]	3,000				
Maximum Radial Load *2	[N]	5,340				
Maximum Axial Load *3	[N]	5,340				
Moment of Inertia ($\leq \varnothing 19$)	[kgcm ²]	1.92	1.91	1.90	1.90	1.89
Efficiency *4	[%]	84	80	76	73	70
Torsional Rigidity	[Nm/arcmin]	10.4				
Maximum Torsional Backlash (Standard)	[Arc-min]	≤ 15				
Maximum Torsional Backlash (Low)	[Arc-min]	≤ 6				
Noise Level *5	dB [A]	≤ 80				
Weight *6	[kg]	16				
Ambient Temperature	[°C]	-23 ~ 93				
Permitted Housting Temperature	[°C]	100				
Service Life	[Hours]	20,000				
Protection Class	--	IP 69K				
Lubrication	--	Synthetic Food Grade Oil				
Mounting Position	--	Any				

*1) Torque at no load applied to the input shaft at 2,000 rpm

*2) The maximum radial load the gearbox can accept

*3) The maximum axial load the gearbox can accept

*4) The efficiency at the nominal output torque rating

*5) Measured with no load applied to the input shaft at 2,000 rpm

*6) Weight may vary slightly between models

EJS 060 1-Stage Specifications

Frame Size	060					
Ratio	--	5	7.5	10	15	20
Nominal Output Torque	[Nm]	123	154	172	188	175
Maximum Acceleration Torque	[Nm]	170	212	227	235	276
Emergency Stop Torque	[Nm]	246	308	344	376	350
No Load Running Torque *1	[Nm]	0.79				
Nominal Input Speed	[rpm]	2,000				
Maximum Continuous Input Speed	[rpm]	3,000				
Maximum Cyclic Input Speed	[rpm]	3,000				
Maximum Radial Load *2	[N]	8,010				
Maximum Axial Load *3	[N]	8,010				
Moment of Inertia ($\leq \varnothing 19$)	[kgcm ²]	3.48	2.77	2.52	2.35	2.28
Efficiency *4	[%]	92	91	90	88	85
Torsional Rigidity	[Nm/arcmin]	17.7				
Maximum Torsional Backlash (Standard)	[Arc-min]	≤ 13				
Maximum Torsional Backlash (Low)	[Arc-min]	≤ 5				
Noise Level *5	dB [A]	≤ 80				
Weight *6	[kg]	21				
Ambient Temperature	[°C]	-23 ~ 93				
Permitted Housting Temperature	[°C]	100				
Service Life	[Hours]	20,000				
Protection Class	--	IP 69K				
Lubrication	--	Synthetic Food Grade Oil				
Mounting Position	--	Any				

*1) Torque at no load applied to the input shaft at 2,000 rpm

*2) The maximum radial load the gearbox can accept

*3) The maximum axial load the gearbox can accept

*4) The efficiency at the nominal output torque rating

*5) Measured with no load applied to the input shaft at 2,000 rpm

*6) Weight may vary slightly between models

EJS 060 1-Stage Specifications

Frame Size	060					
Ratio	--	25	30	40	50	60
Nominal Output Torque	[Nm]	172	175	173	174	173
Maximum Acceleration Torque	[Nm]	230	229	232	243	225
Emergency Stop Torque	[Nm]	344	350	346	348	346
No Load Running Torque *1	[Nm]	0.79				
Nominal Input Speed	[rpm]	2,000				
Maximum Continuous Input Speed	[rpm]	3,000				
Maximum Cyclic Input Speed	[rpm]	3,000				
Maximum Radial Load *2	[N]	8,010				
Maximum Axial Load *3	[N]	8,010				
Moment of Inertia ($\leq \varnothing 19$)	[kgcm ²]	2.26	2.24	2.22	2.22	2.21
Efficiency *4	[%]	84	80	76	73	70
Torsional Rigidity	[Nm/arcmin]	17.7				
Maximum Torsional Backlash (Standard)	[Arc-min]	≤ 13				
Maximum Torsional Backlash (Low)	[Arc-min]	≤ 5				
Noise Level *5	dB [A]	≤ 80				
Weight *6	[kg]	21				
Ambient Temperature	[°C]	-23 ~ 93				
Permitted Housting Temperature	[°C]	100				
Service Life	[Hours]	20,000				
Protection Class	--	IP 69K				
Lubrication	--	Synthetic Food Grade Oil				
Mounting Position	--	Any				

*1) Torque at no load applied to the input shaft at 2,000 rpm

*2) The maximum radial load the gearbox can accept

*3) The maximum axial load the gearbox can accept

*4) The efficiency at the nominal output torque rating

*5) Measured with no load applied to the input shaft at 2,000 rpm

*6) Weight may vary slightly between models

EJS 076 1-Stage Specifications

Frame Size	076					
Ratio	--	5	7.5	10	15	20
Nominal Output Torque	[Nm]	237	300	345	385	381
Maximum Acceleration Torque	[Nm]	330	420	476	517	502
Emergency Stop Torque	[Nm]	474	600	690	770	762
No Load Running Torque *1	[Nm]	1.24				
Nominal Input Speed	[rpm]	2,000				
Maximum Continuous Input Speed	[rpm]	3,000				
Maximum Cyclic Input Speed	[rpm]	3,000				
Maximum Radial Load *2	[N]	10,235				
Maximum Axial Load *3	[N]	10,235				
Moment of Inertia ($\leq \varnothing 19$)	[kgcm ²]	13.98	10.74	9.6	8.79	8.51
Efficiency *4	[%]	92	91	90	88	85
Torsional Rigidity	[Nm/arcmin]	41.6				
Maximum Torsional Backlash (Standard)	[Arc-min]	≤ 10				
Maximum Torsional Backlash (Low)	[Arc-min]	≤ 4				
Noise Level *5	dB [A]	≤ 83				
Weight *6	[kg]	41				
Ambient Temperature	[°C]	-23 ~ 93				
Permitted Housing Temperature	[°C]	100				
Service Life	[Hours]	20,000				
Protection Class	--	IP 69K				
Lubrication	--	Synthetic Food Grade Oil				
Mounting Position	--	Any				

*1) Torque at no load applied to the input shaft at 2,000 rpm

*2) The maximum radial load the gearbox can accept

*3) The maximum axial load the gearbox can accept

*4) The efficiency at the nominal output torque rating

*5) Measured with no load applied to the input shaft at 2,000 rpm

*6) Weight may vary slightly between models

EJS 076 1-Stage Specifications

Frame Size	076					
Ratio	--	25	30	40	50	60
Nominal Output Torque	[Nm]	396	393	375	361	347
Maximum Acceleration Torque	[Nm]	519	535	511	493	473
Emergency Stop Torque	[Nm]	792	786	750	722	694
No Load Running Torque *1	[Nm]	1.24				
Nominal Input Speed	[rpm]	2,000				
Maximum Continuous Input Speed	[rpm]	3,000				
Maximum Cyclic Input Speed	[rpm]	3,000				
Maximum Radial Load *2	[N]	10,235				
Maximum Axial Load *3	[N]	10,235				
Moment of Inertia ($\leq \varnothing 19$)	[kgcm ²]	8.38	8.31	8.23	8.20	8.18
Efficiency *4	[%]	84	80	76	73	70
Torsional Rigidity	[Nm/arcmin]	41.6				
Maximum Torsional Backlash (Standard)	[Arc-min]	≤ 10				
Maximum Torsional Backlash (Low)	[Arc-min]	≤ 4				
Noise Level *5	dB [A]	≤ 83				
Weight *6	[kg]	41				
Ambient Temperature	[°C]	-23 ~ 93				
Permitted Housting Temperature	[°C]	100				
Service Life	[Hours]	20,000				
Protection Class	--	IP 69K				
Lubrication	--	Synthetic Food Grade Oil				
Mounting Position	--	Any				

*1) Torque at no load applied to the input shaft at 2,000 rpm

*2) The maximum radial load the gearbox can accept

*3) The maximum axial load the gearbox can accept

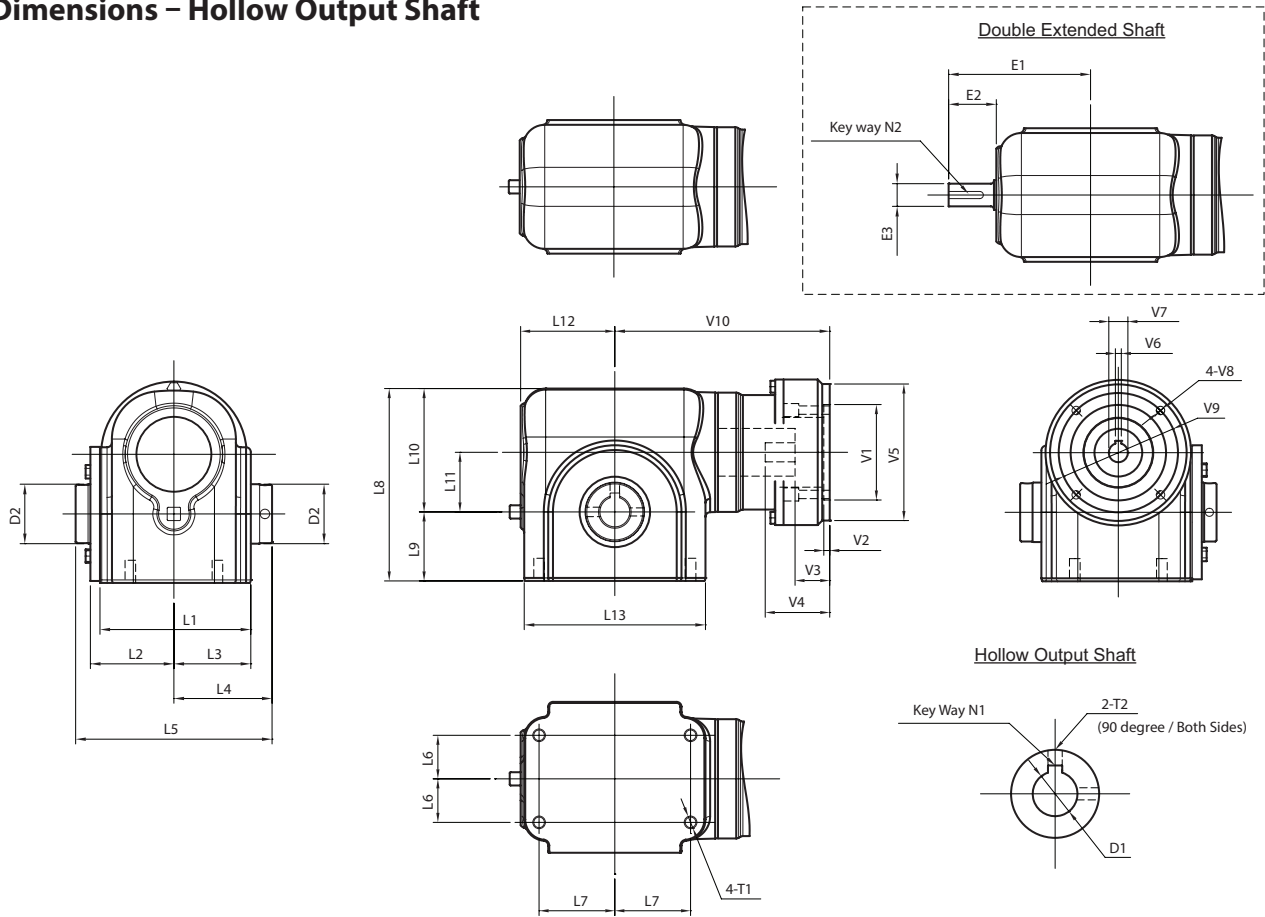
*4) The efficiency at the nominal output torque rating

*5) Measured with no load applied to the input shaft at 2,000 rpm

*6) Weight may vary slightly between models

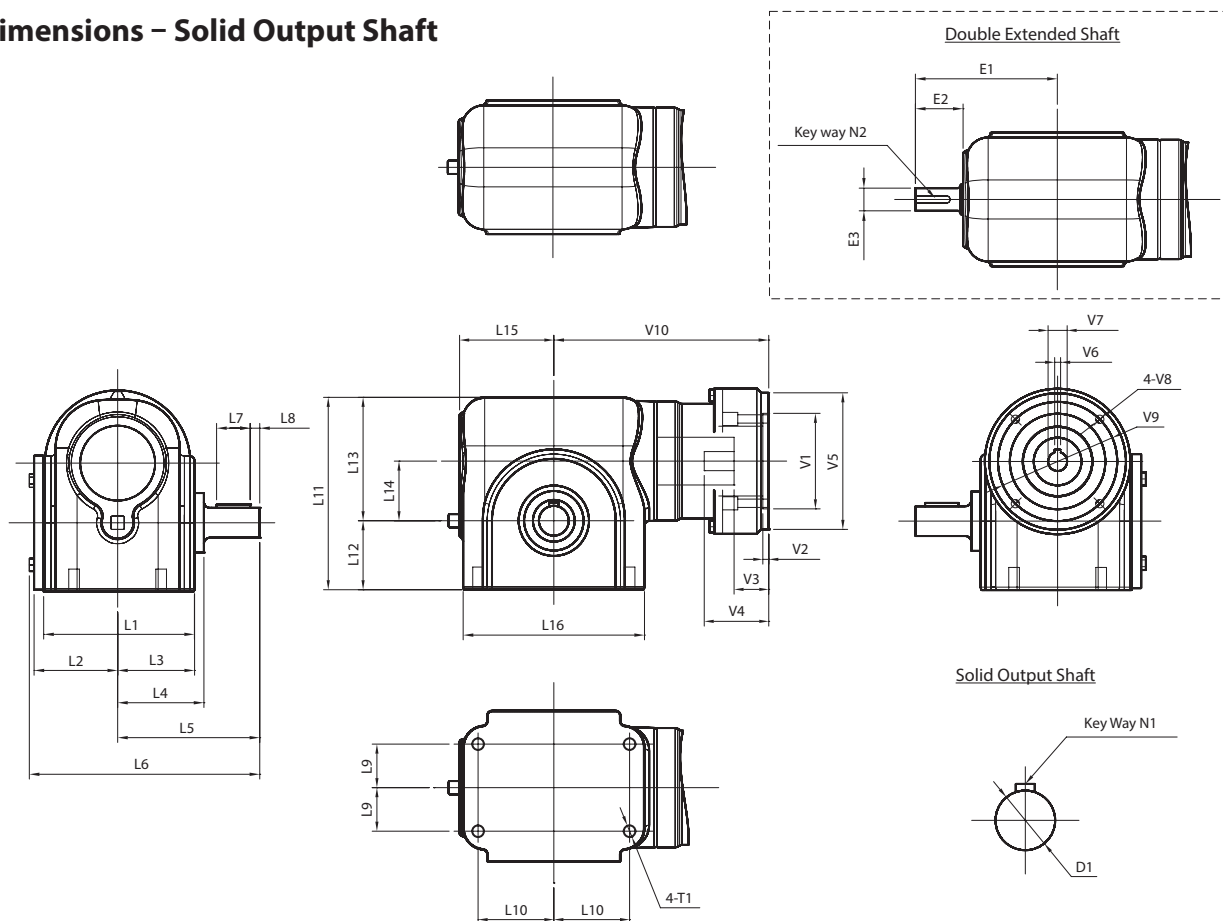
EJS SERIES Right-angle Worm

EJS Dimensions – Hollow Output Shaft



Frame Size	Unit	EJS39	EJS44	EJS50	EJS60	EJS76
L1	[mm]	116.6	121.7	126.5	132.6	172.5
L2	[mm]	65.0	67.6	70.1	72.9	95.0
L3	[mm]	59.4	62.2	64.5	67.6	87.4
L4	[mm]	77.2	79.8	82.3	85.3	109.7
L5	[mm]	154.7	159.8	164.6	170.7	219.5
L6	[mm]	34.9	34.9	36.4	36.4	50.8
L7	[mm]	53.1	53.1	63.5	63.5	88.9
L8	[mm]	138.4	148.3	161.3	177.3	229.6
L9	[mm]	48.5	52.3	57.9	64.0	82.6
L10	[mm]	89.9	96.0	103.4	113.3	147.1
L11	[mm]	39.1	44.5	50.0	59.7	76.2
L12	[mm]	72.4	78.0	79.0	87.4	115.6
L13	[mm]	140.0	151.9	151.9	156.0	210.1
D1	[mm]	φ19	φ20	φ25	φ28	φ35
D2	[mm]	φ40	φ45	φ50	φ55	φ75
Key way N1	[mm]	6.0x3.0	6.0x3.0	8.0x4.0	8.0x4.0	10x4.4
T1	[mm]	M8x12	M8x12	M10x15	M10x15	M12x19.5
T2	[mm]	5/16-24	5/16-24	5/16-24	5/16-24	5/16-24
E1	[mm]	117.1	123.4	126.5	134.1	193.8
E2	[mm]	44.7	45.5	47.5	46.7	78.2
E3	[Inch]	0.75	0.75	0.75	0.75	1.19
Key way N2	[Inch]	3/16x3/32	3/16x3/32	3/16x3/32	3/16x3/32	1/8x1/4
V1 ~ V10	Motor attachment dimensions are made to fit your servo motor.					

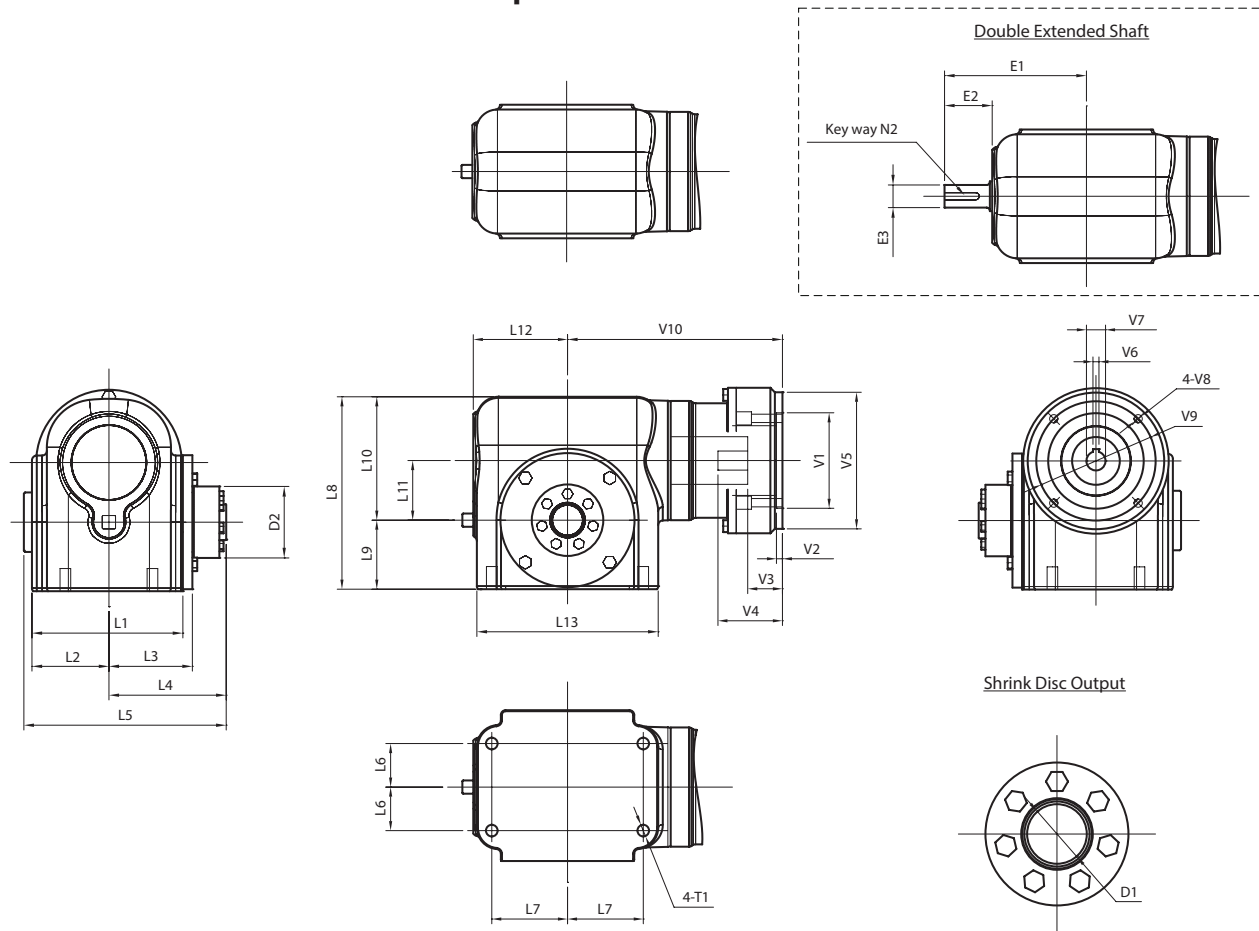
EJS Dimensions – Solid Output Shaft



Frame Size	Unit	EJS39	EJS44	EJS50	EJS60	EJS76
L1	[mm]	116.6	121.7	126.5	132.6	172.5
L2	[mm]	65.0	67.6	70.1	72.9	95.0
L3	[mm]	59.4	62.2	64.5	67.6	87.4
L4	[mm]	67.3	69.9	72.4	69.6	100.1
L5	[mm]	109.5	109.5	119.1	129.3	174.0
L6	[mm]	178.6	181.1	193.3	206.2	274.3
L7	[mm]	22	22	28	32	40
L8	[mm]	7	7	8	8	10
L9	[mm]	34.9	34.9	36.4	36.4	50.8
L10	[mm]	53.2	53.2	63.5	63.5	88.9
L11	[mm]	138.4	148.3	161.3	177.3	229.6
L12	[mm]	48.5	52.3	57.9	64.0	82.6
L13	[mm]	89.9	96.0	103.4	113.3	147.1
L14	[mm]	39.1	44.5	50.0	59.7	76.2
L15	[mm]	72.4	78.0	79.0	87.4	115.6
L16	[mm]	140.0	151.9	151.9	156.0	210.1
D1	[mm]	φ18	φ20	φ25	φ28	φ35
Key way N1	[mm]	6.0x3.0	6.0x3.0	8.0x4.0	8.0x4.0	10x4.4
T1	[mm]	M8x12	M8x12	M10x15	M10x15	M12x19.5
E1	[mm]	117.1	123.4	126.5	134.1	193.8
E2	[mm]	44.7	45.5	47.5	46.7	78.2
E3	[mm]	0.75	0.75	0.75	0.75	1.19
Key way N2	[Inch]	3/16x3/32	3/16x3/32	3/16x3/32	3/16x3/32	1/8x1/4
V1 ~ V10	Motor attachment dimensions are made to fit your servo motor.					

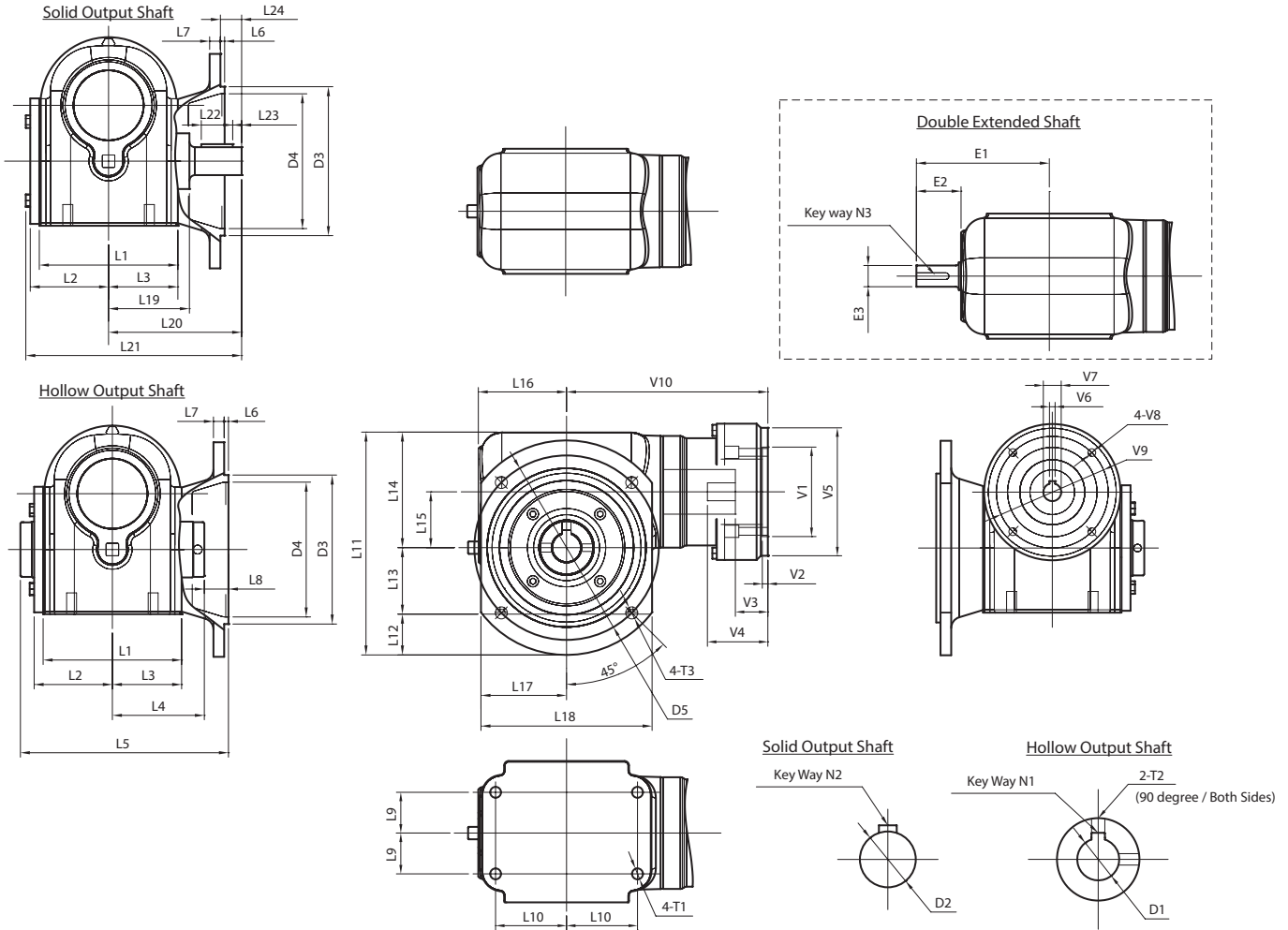
EJS SERIES Right-angle Worm

EJS Dimensions – Shrink Disc Hollow Output Shaft



Frame Size	Units	EJS39	EJS44	EJS50	EJS60	EJS76
L1	[mm]	116.6	121.7	126.5	132.6	172.5
L2	[mm]	65.0	67.6	70.1	72.9	95.0
L3	[mm]	59.4	62.2	64.5	67.6	87.4
L4	[mm]	93.2	95.8	98.3	102.9	128.5
L5	[mm]	159.5	164.6	169.7	177.3	226.1
L6	[mm]	34.9	34.9	36.4	36.4	50.8
L7	[mm]	53.2	53.2	63.5	63.5	88.9
L8	[mm]	138.4	148.3	161.3	177.3	229.6
L9	[mm]	48.5	52.3	57.9	64.0	82.6
L10	[mm]	89.9	96.0	103.4	113.3	147.1
L11	[mm]	39.1	44.5	50.0	59.7	76.2
L12	[mm]	72.4	78.0	79.0	87.4	115.6
L13	[mm]	140.0	151.9	151.9	156.0	210.1
D1	[mm]	φ25/φ25.008	φ25/φ25.008	φ25/φ25.008	φ30/φ30.008	φ35.002/φ35.018
D2	[mm]	φ60	φ60	φ60	φ72	φ80
T1	[mm]	M8x12	M8x12	M10x15	M10x15	M12x19.5
E1	[mm]	117.1	123.4	126.5	134.1	193.8
E2	[mm]	44.7	45.5	47.5	46.7	78.2
E3	[mm]	0.75	0.75	0.75	0.75	1.19
Key way N2	[Inch]	3/16x3/32	3/16x3/32	3/16x3/32	3/16x3/32	1/8x1/4
V1 ~ V10	Motor attachment dimensions are made to fit your servo motor.					

EJS Dimensions – Optional Mounting Flange

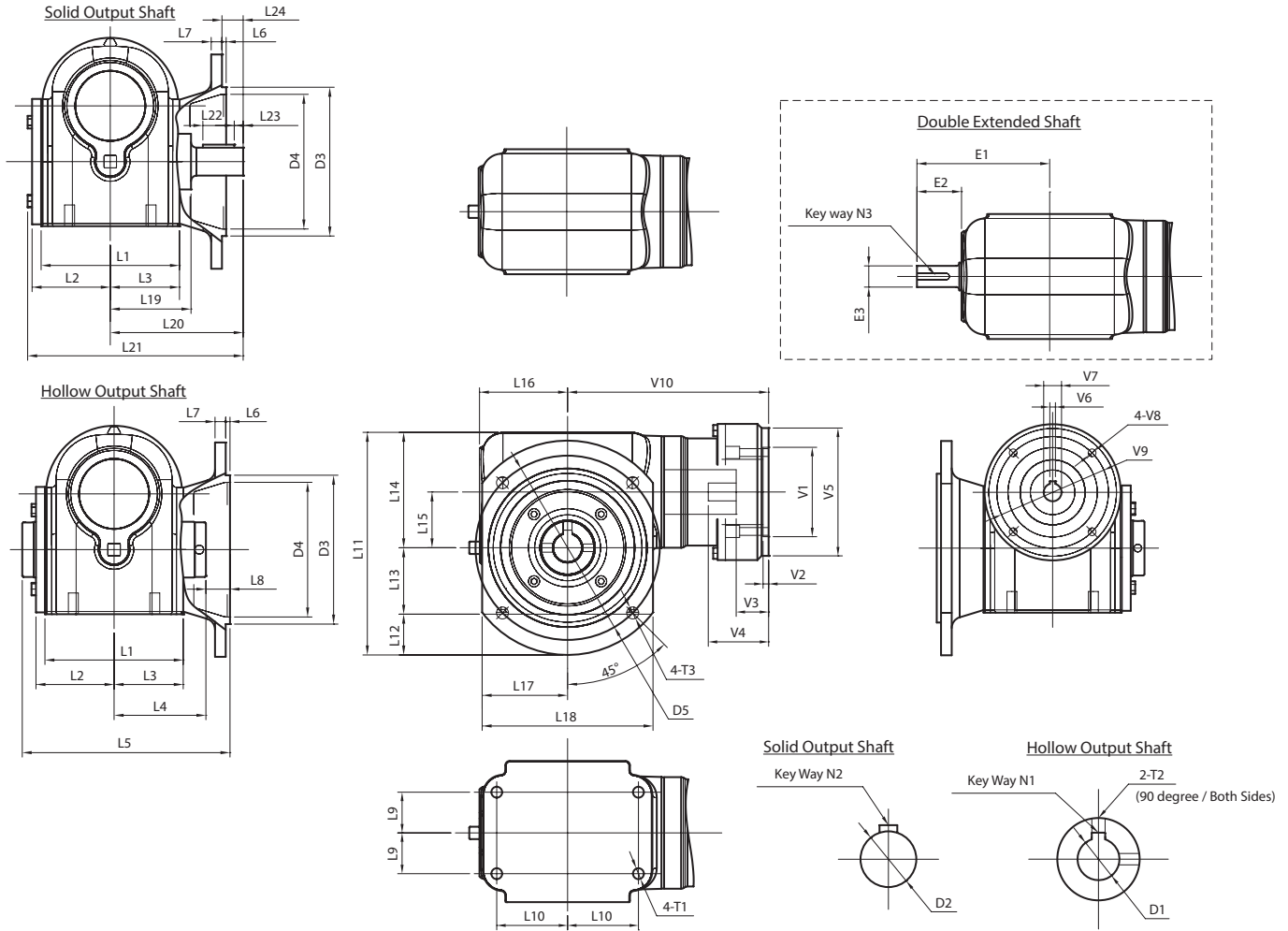


Frame Size	Units	EJS39	EJS44	EJS50	EJS60	EJS76
L1	[mm]	116.6	121.7	126.5	132.6	172.5
L2	[mm]	65.0	67.6	70.1	72.9	95.0
L3	[mm]	59.4	62.2	64.5	67.6	87.4
L4	[mm]	77.2	79.8	82.3	85.3	109.7
L5	[mm]	170	176	186	202	253
L6	[mm]	3.8	3.8	3.8	3.8	3.8
L7	[mm]	9.7	9.7	9.7	9.7	9.7
L8	[mm]	15.7	16.0	21.6	31.5	33.8
L9	[mm]	34.9	34.9	36.4	36.4	50.8
L10	[mm]	53.2	53.2	63.5	63.5	88.9
L11	[mm]	176.3	184.2	199.4	230.6	290.3
L12	[mm]	39.6	35.8	38.1	51.8	60.7
L13	[mm]	48.5	52.3	57.9	64.0	82.6
L14	[mm]	88.1	96	103.4	115.3	147
L15	[mm]	39.1	44	50.0	59.7	76
L16	[mm]	72.4	78	79.0	87.4	116
L17	[mm]	70	70	76.7	92.5	112
L18	[mm]	140.5	140.5	153.2	185.2	223.3
L19	[mm]	67.3	69.9	72.4	69.6	100.1
L20	[mm]	109.5	109.5	119.1	129.3	174.0

Note: Continue Frame Sizes for Optional Mounting Flange on the next page

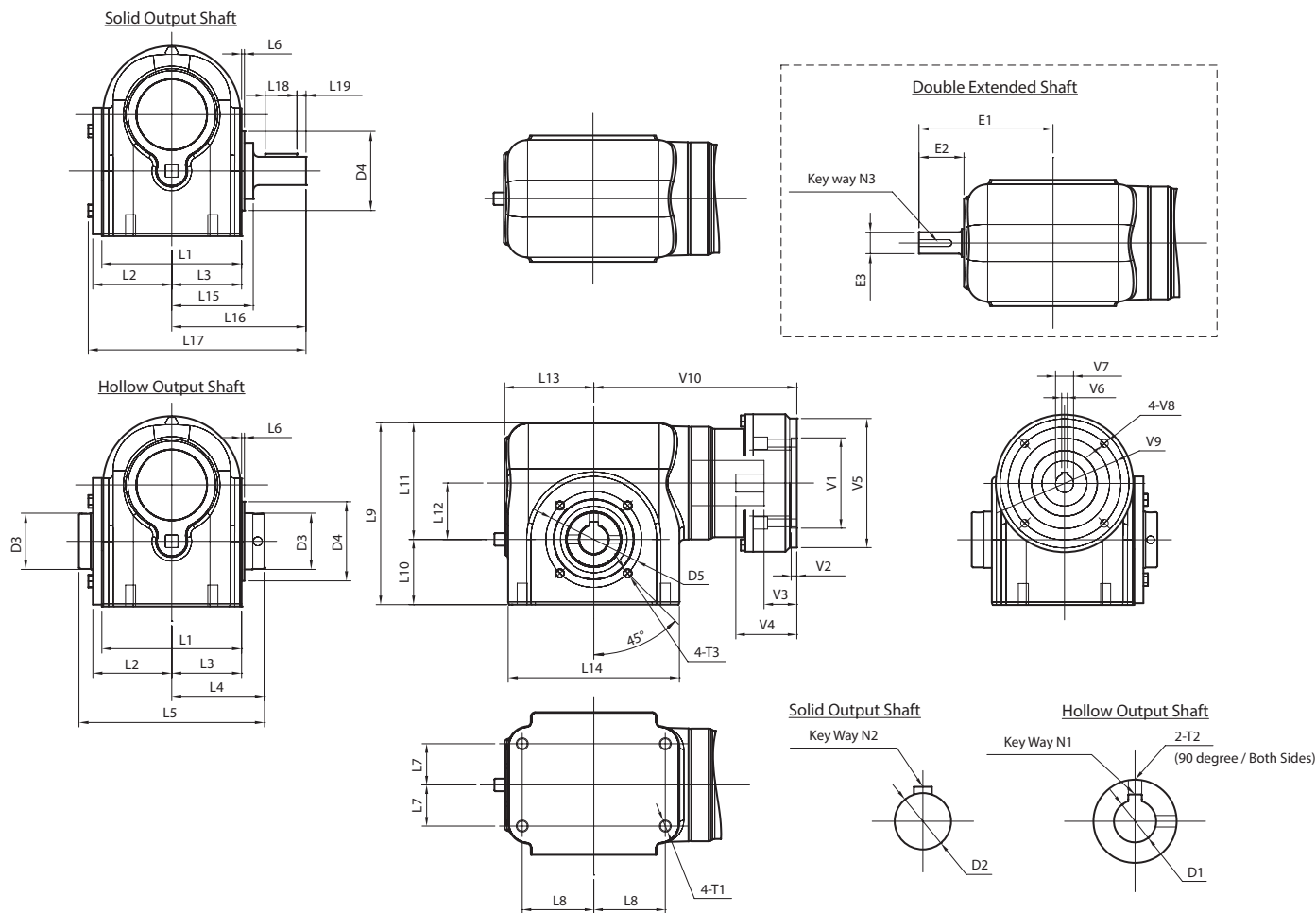
EJS SERIES Right-angle Worm

EJS Dimensions – Optional Mounting Flange



Frame Size	Units	EJS39	EJS44	EJS50	EJS60	EJS76
L21	[mm]	178.6	181.1	193.3	206.2	274.3
L22	[mm]	22	22	28	32	40
L23	[mm]	7	7	8	8	10
L24	[mm]	20.1	17.5	19.1	16.3	34.3
T1	[mm]	M8x12	M8x12	M10x15	M10x15	M12x19.5
D1	[mm]	φ19	φ20	φ25	φ28	φ35
Key way N1	[mm]	6.0x3.0	6.0x3.0	8.0x4.0	8.0x4.0	10x4.4
T2	[mm]	5/16-24	5/16-24	5/16-24	5/16-24	5/16-24
D2	[mm]	φ18	φ20	φ25	φ28	φ35
Key way N2	[mm]	6.0x3.0	6.0x3.0	8.0x4.0	8.0x4.0	10x4.4
D3	[mm]	φ114.3	φ114.3	φ133.4	φ165.1	φ203.2
D4	[mm]	φ103.1	φ103.1	φ120.7	φ142.7	φ182.6
D5	[mm]	φ149.35	φ149.35	φ165.1	φ203.2	φ254
T3	[mm]	9.2	9.2	9.2	9.2	9.2
E1	[mm]	117.1	123.4	126.5	134.1	193.8
E2	[mm]	44.7	45.5	47.5	46.7	78.2
E3	[mm]	0.75	0.75	0.75	0.75	1.19
Key way N3	[Inch]	3/16x3/32	3/16x3/32	3/16x3/32	3/16x3/32	1/8x1/4
V1 ~ V10	Motor attachment dimensions are made to fit your servo motor.					

EJS Dimensions – Side Mount (w/o Flange Mounting)

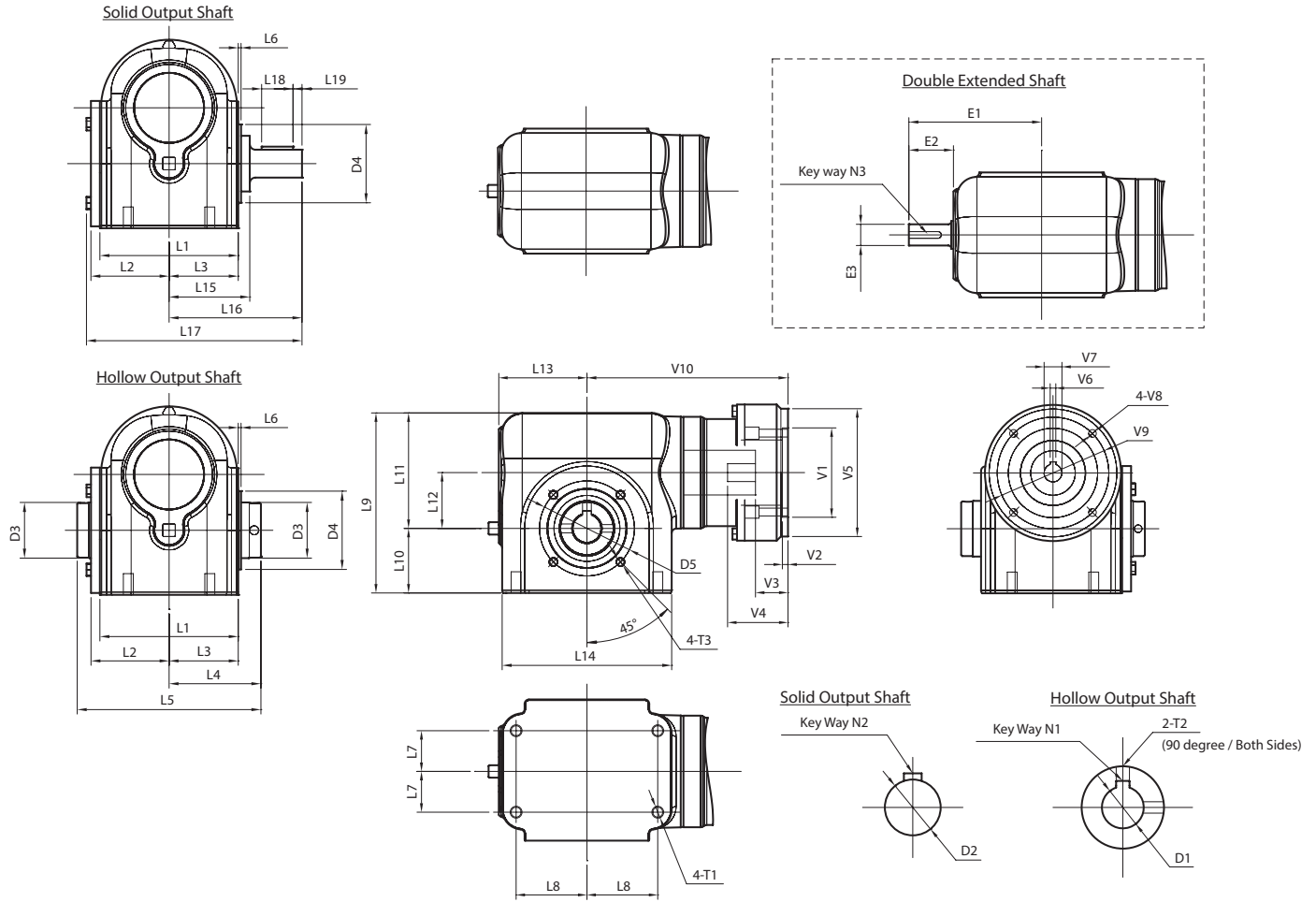


Frame Size	Units	EJS39	EJS44	EJS50	EJS60	EJS76
L1	[mm]	116.6	121.7	126.5	132.6	172.5
L2	[mm]	65.0	67.6	70.1	72.9	95.0
L3	[mm]	59.4	62.2	64.5	67.6	87.4
L4	[mm]	77.2	79.8	82.3	85.3	109.7
L5	[mm]	154.7	159.8	164.6	170.7	219.5
L6	[mm]	2.5	2.5	2.5	2.5	2.5
L7	[mm]	34.9	34.9	36.4	36.4	50.8
L8	[mm]	53.2	53.2	63.5	63.5	88.9
L9	[mm]	138.4	148.3	161.3	177.3	229.6
L10	[mm]	48.5	52.3	57.9	64.0	82.6
L11	[mm]	89.9	96.0	103.4	113.3	147.1
L12	[mm]	39.1	44.5	50.0	59.7	76.2
L13	[mm]	72.4	78.0	79.0	87.4	115.6
L14	[mm]	140.0	151.9	151.9	156.0	210.1
L15	[mm]	67.3	69.9	72.4	69.6	100.1
L16	[mm]	109.5	109.5	119.1	129.3	174.0
L17	[mm]	178.6	181.1	193.3	206.2	274.3

Note: Continue Frame Sizes for Side Mount (w/o Flange Mounting) on the next page

EJS SERIES Right-angle Worm

EJS Dimensions – Side Mount (w/o Flange Mounting)



Frame Size	Units	EJS39	EJS44	EJS50	EJS60	EJS76
L18	[Inch]	22	22	28	32	40
L19	[mm]	7	7	8	8	10
T1	[mm]	M8x12	M8x12	M10x15	M10x15	M12x19.5
D1	[mm]	φ19	φ20	φ25	φ28	φ35
Key way N1	[mm]	6.0x3.0	6.0x3.0	8.0x4.0	8.0x4.0	10x4.4
T2	[mm]	5/16-24	5/16-24	5/16-24	5/16-24	5/16-24
D2	[mm]	φ18	φ20	φ25	φ28	φ35
Key way N2	[mm]	6.0x3.0	6.0x3.0	8.0x4.0	8.0x4.0	10x4.4
D3	[mm]	φ40	φ45	φ50	φ55	φ75
D4	[Inch]	φ60	φ70	φ70	φ80	φ110
D5	[mm]	φ75	φ85	φ85	φ95	φ130
T3	[mm]	M6x10	M8x12	M8x12	M8x12	M10x16
E1	[mm]	117.1	123.4	126.5	134.1	193.8
E2	[mm]	44.7	45.5	47.5	46.7	78.2
E3	[Inch]	0.75	0.75	0.75	0.75	1.19
Key way N3	[Inch]	3/16x3/32	3/16x3/32	3/16x3/32	3/16x3/32	1/8x1/4
V1 ~ V10	Motor attachment dimensions are made to fit your servo motor.					

